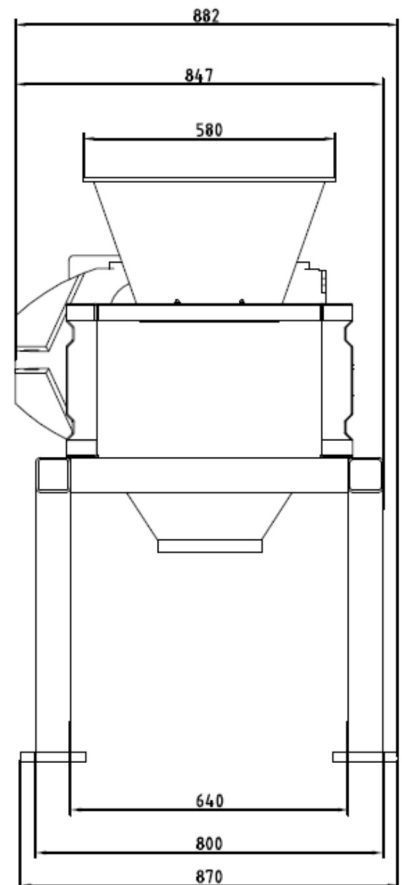
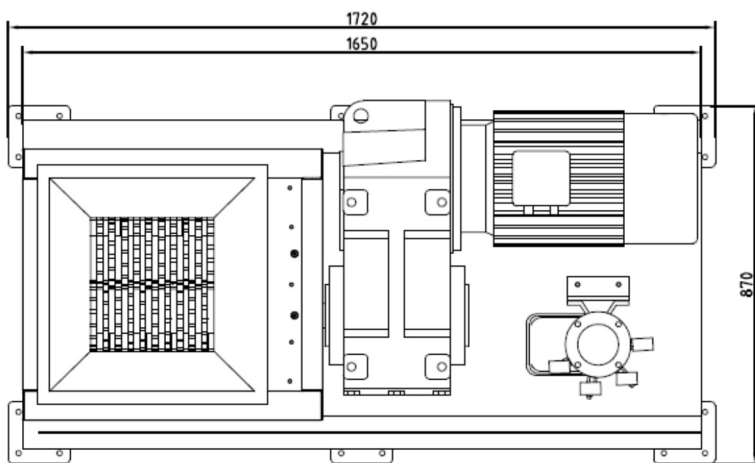
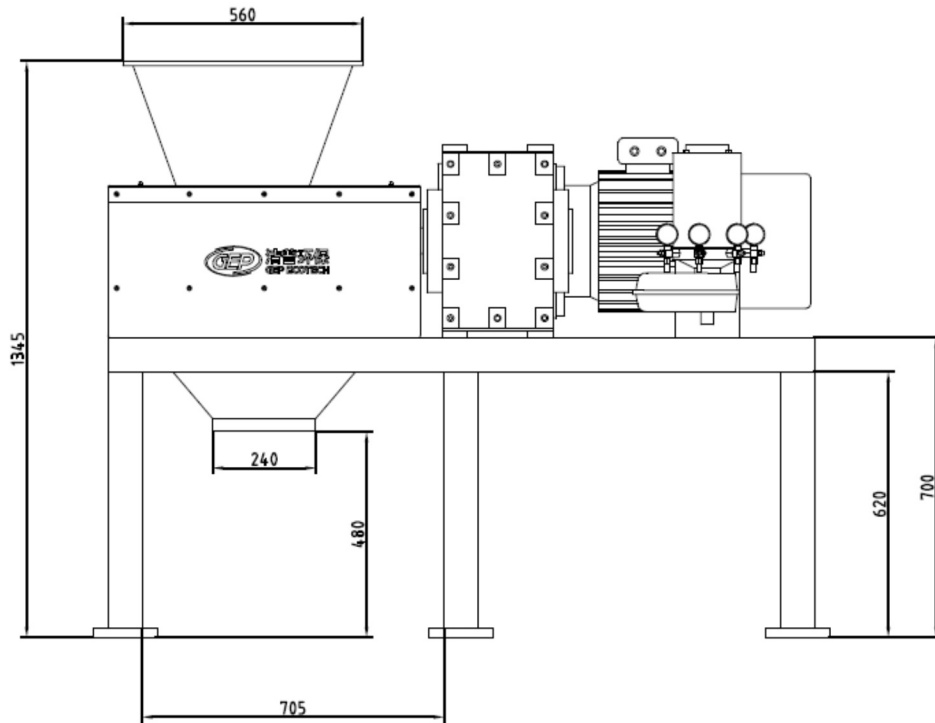


Dimension drawing

GDS3E



Dimension drawing

